

T11SM Interlocking Brick Clamp

the safest, most reliable method of handling
cubes of palletized and unpalletized bricks

Models available

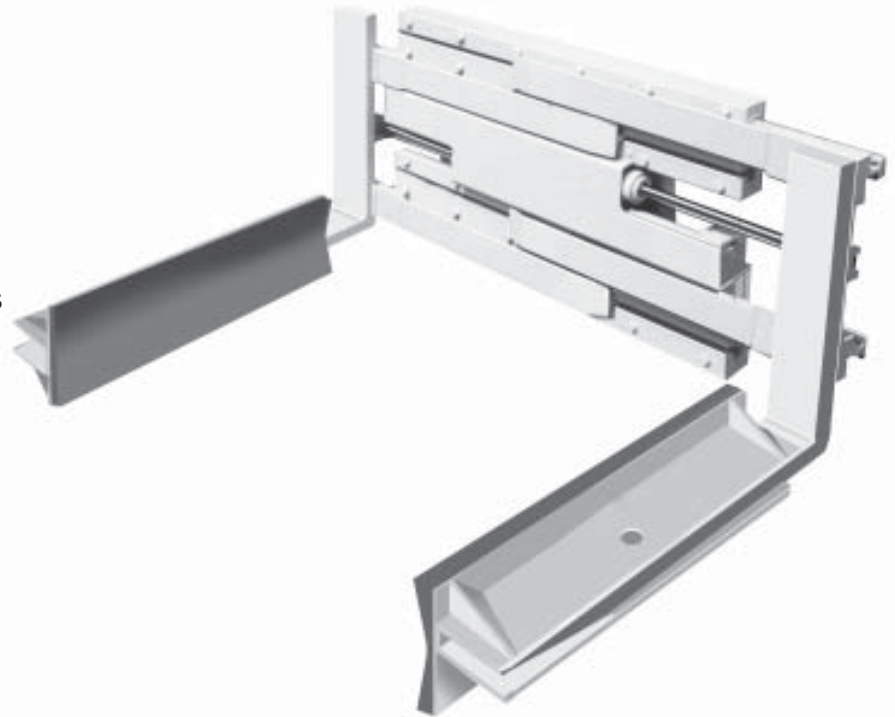
Basic -non sideshifting
Sideshifting

Options

Numerous ranges and capacities
Special fork sizes
Quick disconnect mounting

Features

High tensile forks
Two piece floating slide bushings
Self aligning hydraulic cylinders
Light weight slide rail construction



Total Interlocking Brick Clamps are used extensively for lifting cubes of palletized and unpalletized bricks. With the slip-on pads removed, hydraulic fork movement allows the forklift operator to position the forks for both wide or narrow pallets without leaving the drivers seat.

With the pads attached, palletless pick up of a standard cube is achieved by squeezing from either side of the load, elevating it then transporting it to a storage location..

Many applications can be performed with just this one versatile clamp. It's range inside the pads gives it the ability to pick up a single or a double cube of bricks as well as just one single row. Paving slabs and other paving products can also be handled with ease.

The frames of all Total clamps are constructed from both steel and alloy for a maximum strength to weight ratio.

Clamping and fork positioning from the drivers seat!



Total Attachments Inc.

Tel: 905 -339-1100 N. America

Toll Free: 1-800-387-4638

Tel: + 44 1728 723221 Europe

Fax: 905-339- 2802

Email: sales@total.net

Website: www.total.net