

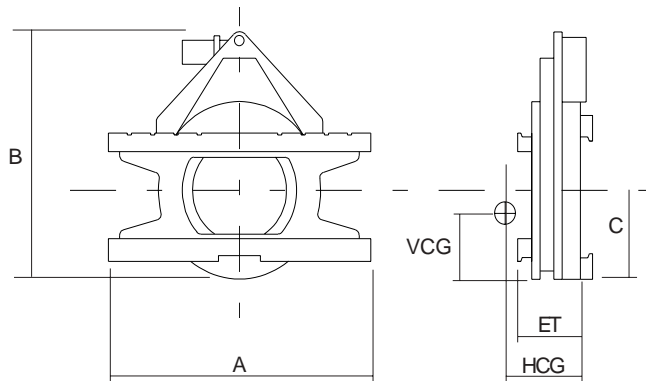
T14 Series Rotator



Corrosion resistant ring-gear

Features

- Replaceable ring- gear bearing insert
- Impervious to salt water, sand and acids.
- Exceptional visibility
- Safety locks on side of forks
- Self drains trapped water with every revolution
- Optional fold-out side fork
- Mounts to any standard forklift



Hydraulic Requirements: Single function auxiliary kit

SPECIFICATIONS

Model No.	Capacity @ 24" LC	Fork Length	Mounting Class	Min. Fork Spread	Max. Fork Spread	Weight	ET	HCG	VCG	A	B	C
T14-32-00FB	3200	0	II	8	38	485	6.75	2.8	9.75	38	28	11.5
T14-32-36FB	3200	36	II	8	38	653	8.25	7	8.5	38	28	11.5
T14-32-42FB	3200	42	II	8	38	673	8.25	8.5	8.2	38	28	11.5
T14-32-48FB	3200	48	II	8	38	693	8.25	9.9	8	38	28	11.5
T14-45-00FB	4500	0	II	8	38	520	6.75	3.3	10.3	38	29.5	11
T14-45-36FB	4500	36	II	8	38	716	8.5	7.5	8.9	38	29.5	11
T14-45-42FB	4500	42	II	8	38	740	8.5	9.1	8.6	38	29.5	11
T14-45-48FB	4500	48	II	8	38	764	8.5	10.4	8.4	38	29.5	11
T14-55-00FB	5500	0	III/III	10	42	602	6.75	3.75	12	42	32	11.5
T14-55-42FB	5500	42	III/III	10	42	822	8.5	7.75	10.4	42	32	11.5
T14-55-48FB	5500	48	III/III	10	42	852	8.5	9.5	10.1	42	32	11.5
T14-55-54FB	5500	54	III/III	10	42	882	8.5	10.75	9.76	42	32	11.5
T14-70-00FB	7000	0	III	10	42	683	6.75	4.1	14.2	42	33.5	12
T14-70-42FB	7000	42	III	10	42	958	8.75	7.9	11.9	42	33.5	12
T14-70-48FB	7000	48	III	10	42	987	8.75	9.7	11.6	42	33.5	12
T14-70-54FB	7000	54	III	10	42	1017	8.75	11	11.3	42	33.5	12
T14-95-00FB	9500	0	III/IV	12	48	1280	7.25	4.4	15.7	48	36	15.7
T14-95-42FB	9500	42	III/IV	12	48	1612	9.92	8.9	12.8	48	36	15.7
T14-95-48FB	9500	48	III/IV	12	48	1653	9.25	9.3	12.6	48	36	15.7
T14-95-54FB	9500	54	III/IV	12	48	1694	9.25	9.9	12.5	48	36	15.7

Tel: 905 339-1100
Fax: 905 339-2802

Toll Free: 800 387- 4638

Email: sales@total.net
Website: www.total.net