

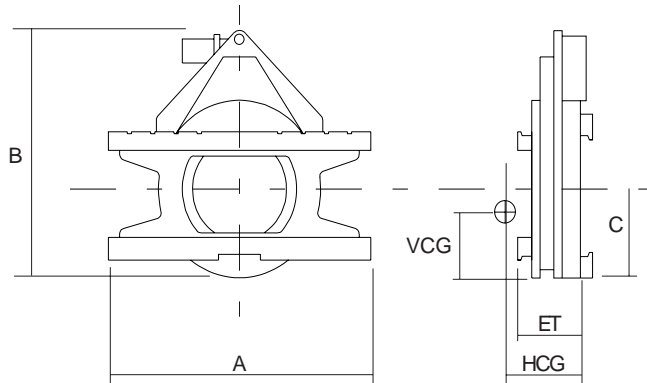
T14CH Series Stainless Steel Rotator



Corrosion resistant stainless steel ring-gear

Features

- Stainless steel fabrication
- Stainless steel hardware
- Stainless steel ring-gear
- Replaceable ring- gear bearing insert
- Impervious to salt water, sand and acids.
- Exceptional visibility
- Safety locks on side of forks
- Self drains trapped water with every revolution



SPECIFICATIONS

Hydraulic Requirements: Single function auxiliary kit

Model No.	Capacity @ 24" LC	Fork Length	Mounting Class	Min. Fork Spread	Max. Fork Spread	Weight	ET	HCG	VCG	A	B	C
T14-32-00CH	3200	0	II	8	38	485	6	2.8	9.75	38	28	11.5
T14-32-36CH	3200	36	II	8	38	653	7.5	7	8.5	38	28	11.5
T14-32-42CH	3200	42	II	8	38	673	7.5	8.5	8.2	38	28	11.5
T14-32-48CH	3200	48	II	8	38	693	7.5	9.9	8	38	28	11.5
T14-45-00CH	4500	0	II	8	38	520	6	3.3	10.3	38	29.5	11
T14-45-36CH	4500	36	II	8	38	716	7.75	7.5	8.9	38	29.5	11
T14-45-42CH	4500	42	II	8	38	740	7.75	9.1	8.6	38	29.5	11
T14-45-48CH	4500	48	II	8	38	764	7.75	10.4	8.4	38	29.5	11
T14-55-00CH	5500	0	II / III	10	42	602	6	3.75	12	42	32	11.5
T14-55-42CH	5500	42	II / III	10	42	822	7.75	7.75	10.4	42	32	11.5
T14-55-48CH	5500	48	II / III	10	42	852	7.75	9.5	10.1	42	32	11.5
T14-55-54CH	5500	54	II / III	10	42	882	7.75	10.75	9.76	42	32	11.5
T14-70-00CH	7000	0	III	10	42	683	6	4.1	14.2	42	33.5	12
T14-70-42CH	7000	42	III	10	42	958	8	7.9	11.9	42	33.5	12
T14-70-48CH	7000	48	III	10	42	987	8	9.7	11.6	42	33.5	12
T14-70-54CH	7000	54	III	10	42	1017	8	11	11.3	42	33.5	12

Tel: 905 339-1100
Fax: 905 339-2802

Toll Free: 800 387- 4638

Email: total@sympatico.ca
Website: www.total.net