

# T16 Paper Roll Clamp

**the safest, most reliable method of lifting  
and inverting paper rolls**

---

## **Models available**

Rigid arm - for small roll range  
Moving arm - for large roll range  
Split arm - for handling 2 rolls of different diameters  
Slide arm - for roll "break-out"

## **Options**

Numerous ranges and capacities  
Quick disconnect mounting  
Rotation positive stops

## **Features**

Slim arms for close roll stacking  
Smooth curved profiles for less roll damage  
Heavy duty pad pivot pins and tubes  
Self aligning hydraulic cylinders

**Total Hydraulic Paper Roll Clamps** are designed to handle just about every type of paper including newsprint, kraft coated or tissue.

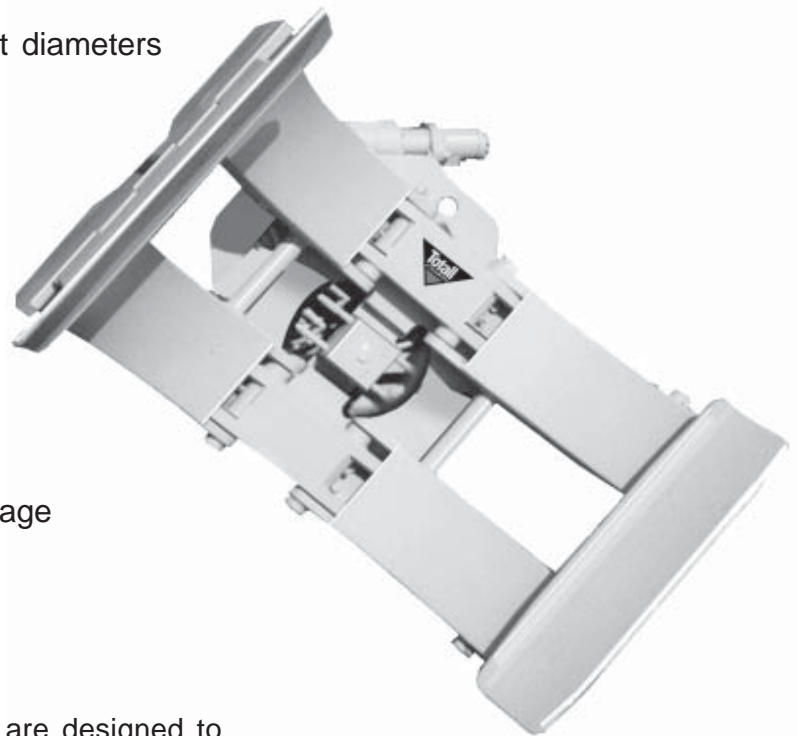
Slim tapered contoured arms allow the operator to slide easily between adjacent rolls without causing paper damage during roll pick up.

Large curved pads and smooth arm movement ensure positive clamping and excellent friction upon contact with the roll and during roll rotation.

Sharp edges and corners on Total Paper Roll Clamps have been eliminated from both the clamp body and arms to reduce paper damage when contact is made with the roll.

Smooth continuous rotation is achieved via a "patented" ring-gear that outperforms all conventional ball or roller bearings.

**Roll handling and rotating for all types of paper!**



## **Total Attachments Inc.**

**Tel:** 905-339-1100 **N. America**

**Toll Free:** 1-800-387-4638

**Tel:** + 44 1728 723221 **Europe**

**Fax:** 905-339-2802

**Email:** sales@total.net

**Website:** www.total.net