

T18 Overhead Cube Clamp

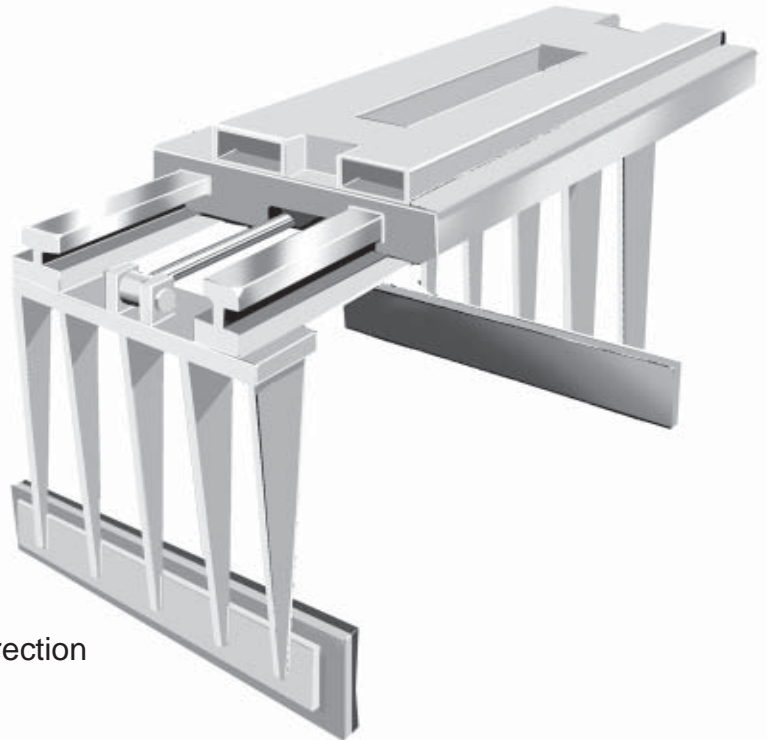
easily clamps and transports
cubes of bricks, blocks or pavers

Features

Individual arm movement
Self aligning cylinders
Fully floating - two piece slide bushings
Modular alloy steel construction
Replaceable rubber faced pads

Options

Carriage mounted
Equal arm movement
Quick disconnect hydraulics
Integral sideshift
Slewing through 90 degrees in either direction



Total Overhead Cube Clamps can be mounted to the forks or carriage of any conventional forklift truck.

Cubes of bricks, blocks or pavers can be effortlessly clamped and transported for storage or shipping without incorporating expensive pallets.

By top-clamping the cube, spaces between columns of product can be dramatically reduced, especially when loading flatbed trailers or during yard storage.

The optional rotator also allows each cube to be placed in a specific orientation, once again conserving valuable space.

**Turn a conventional pneumatic forklift
into a specialized cube handler !**



Total Attachments Inc.

Tel: 905 -339-1100 N. America

Toll Free: 1-800-387-4638

Tel: + 44 1728 723221 Europe

Fax: 905-339- 2802

Email: sales@total.net

Website: www.total.net