

# T19 Hang-on Sideshifter

safely and accurately positions  
the load to the left or the right

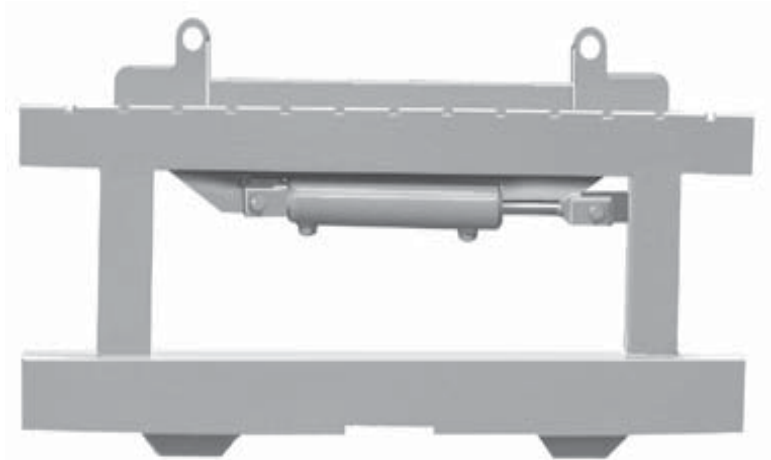
---

## Features

Easy mount hanger plate  
Exceptional visibility.  
Single rod hydraulic cylinder that  
can be removed in seconds  
Smooth side to side motion  
(Four inches each side of center).  
Fast installation and removal  
for general maintenance.  
Unique lower mounting blocks to  
eliminate slack caused by wear.

## Options

Numerous carriage widths.  
Capacities to suit all forklift trucks  
Load backrest to suit.  
Various fork sizes to suit.



**Total Sideshifters** are designed to withstand extreme conditions with a minimal amount of maintenance. The “easy mount” hanger plate, supplied with each sideshifter, enables installation in a matter of minutes without the use of many tools. Unique lower mounting blocks allow a snug fit between the carriage and the sideshifter at all times, even after years of use.

Upper poly wear strips and lower wear blocks make 8” of total side to side movement effortless, even under heavy unstable loads.

Total sideshifters have excellent visibility through the center and sides of the frame at all times and the easily accessible hydraulic cylinder with standard poly seals makes maintenance very fast.

For every application there is a Total Sideshifter capable of outperforming all others.

**Accurate placement and pick up of load!**



### **Total Attachments Inc.**

Tel: 905 -339-1100 N. America

Toll Free: 1-800-387-4638

Tel: + 44 1728 723221 Europe

Fax: 905-339- 2802

Email: [sales@total.net](mailto:sales@total.net)

Website: [www.total.net](http://www.total.net)