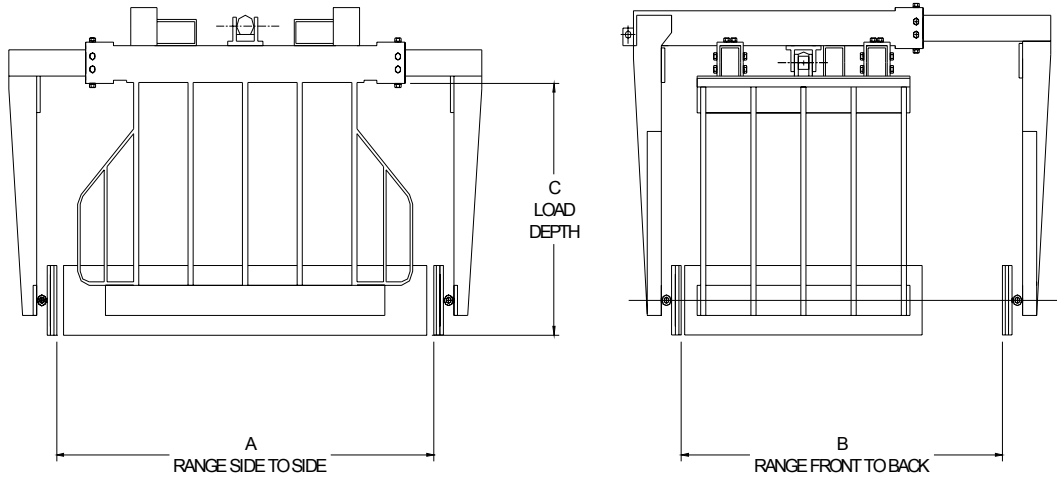


T34 Series Layer Picker Clamp



Standard Models Available

<u>Model No</u>	<u>Capacity lbs</u>	<u>A</u> <u>Range</u>	<u>B</u> <u>Range</u>	<u>C</u> <u>Depth</u>	<u>Maximum</u> <u>Fork Size</u>	<u>Specifications</u>
T34-4848-4848	2500	46-56	46-54	41	2 x 5	Consult Factory
T34-4848-4842	2500	46-56	40-54	41	2 x 5	Consult Factory
T34-4842-4840	2500	46-56	38-48	41	2 x 5	Consult Factory
T34-4242-4242	2500	40-50	40-48	41	2 x 5	Consult Factory
T34-4242-4236	2500	40-50	34-48	41	2 x 5	Consult Factory
T34-3832-3832	2500	36-46	30-38	41	2 x 5	Consult Factory

Hydraulic Requirement: Single Function Installation Kit

This unit is fork mounted and hangs underneath the forks of a standard forklift truck. It can be installed or removed in seconds after the initial installation is performed.

Four sided clamping takes the hard work out of layer picking, eliminating tedious repetitive work that causes back injuries, and dramatically increases productivity.

Things we need to know...

- *Maximum and minimum load width.
- *Maximum and minimum load depth.
- *Maximum load height.

- *Sizes of individual cartons or bottles being handled.
- *Carton configuration on pallet.
- *Number of layers on pallet.