

# T50B Basic Drum Clamp

the safest, most reliable method of handling steel,  
plastic and fiber drums of various sizes

---

## Models available

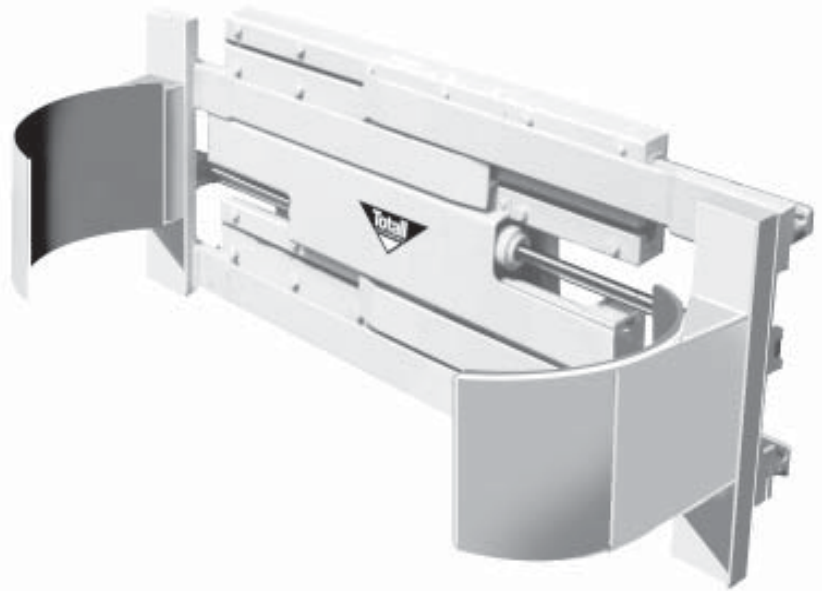
Basic -non sideshifting  
Sideshifting  
Rotating

## Options

Numerous ranges and capacities  
Special pad sizes  
Quick disconnect mounting

## Features

Rubber faced pads  
Two piece floating slide bushings  
Self aligning hydraulic cylinders  
Light weight slide rail construction  
Aluminum vulcanized rubber pads



**Total Drum Clamps** are used extensively for lifting and transporting pallet-less drums, either individually or in multiples. Rubber faced curved drum pads securely clamp drums made of steel, plastic or fibre and many different diameters and heights.

Slim, tapered pads allow clamping of drums even when they are tightly stacked together. Rotating models are also available for dumping drums containing various products. The frames of all Total clamps are constructed from both steel and alloy for a maximum strength to weight ratio.



## Total Attachments Inc.

Tel: 905 -339-1100 N. America  
Toll Free: 1-800-387-4638  
Tel: + 44 1728 723221 Europe  
Fax: 905-339- 2802  
Email: sales@total.net  
Website: www.total.net

**Eliminate manual handling of heavy awkward drums!**