

T50R Rotating Drum Clamp

the safest, most reliable method of handling
and inverting steel, plastic and fiber drums of various sizes

Models available

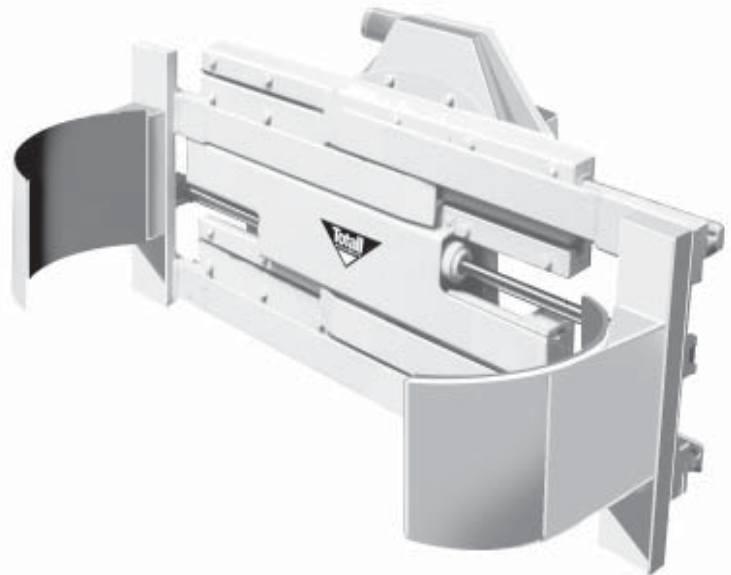
Basic -non sideshifting
Sideshifting

Options

Numerous ranges and capacities
Special pad sizes
Quick disconnect mounting
Other degrees of rotation

Features

Rubber faced pads
Two piece floating slide bushings
Self aligning hydraulic cylinders
Light weight slide rail construction
Aluminum vulcanized rubber pads
360 degrees of rotation



Total Rotating Drum Clamps are used extensively for lifting, transporting and inverting pallet-less drums, either individually or in multiples.

Rubber faced curved drum pads securely clamp drums made of steel, plastic or fibre and many different diameters and heights.

Slim, tapered pads allow clamping of drums even when they are tightly stacked together.

Rotating drum clamps are used for pouring, measuring or turning drums for the purpose of re-settling the contents. Dangerous chemicals can be poured easily from the safety of the forklift drivers seat.

The frames of all Total clamps are constructed from both steel and alloy for a maximum strength to weight ratio.

Eliminates manual handling when inverting drums!



Total Attachments Inc.

Tel: 905 -339-1100 N. America

Toll Free: 1-800-387-4638

Tel: + 44 1728 723221 Europe

Fax: 905-339- 2802

Email: sales@total.net

Website: www.total.net