

T50S Sideshifting Drum Clamp

the safest, most reliable method of handling steel,
plastic and fiber drums of various sizes

Models available

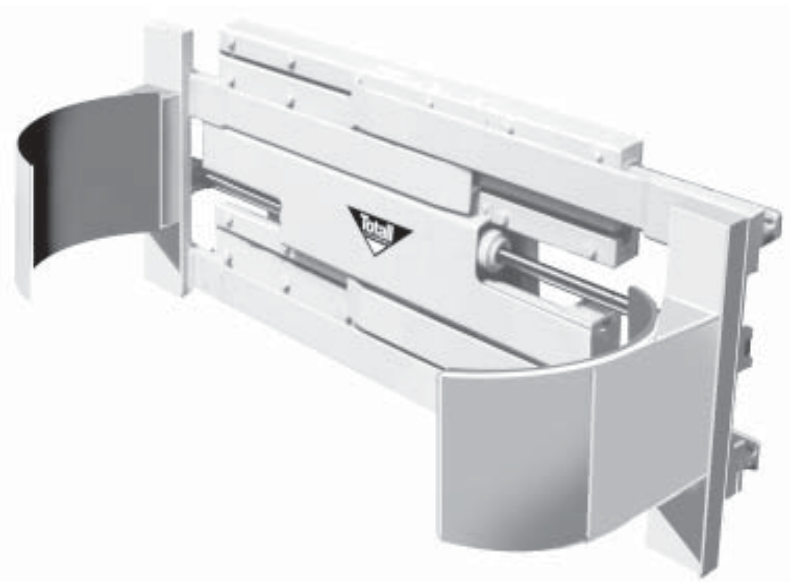
Basic -non sideshifting
Sideshifting
Rotating

Options

Numerous ranges and capacities
Special pad sizes
Quick disconnect mounting

Features

Rubber faced pads
Two piece floating slide bushings
Self aligning hydraulic cylinders
Light weight slide rail construction
Aluminum vulcanized rubber pads



Total Drum Clamps are used extensively for lifting and transporting pallet-less drums, either individually or in multiples. Rubber faced curved drum pads securely clamp drums made of steel, plastic or fibre and many different diameters and heights.

Slim, tapered pads allow clamping of drums even when they are tightly stacked together. Rotating models are also available for dumping drums containing various products. The frames of all Total clamps are constructed from both steel and alloy for a maximum strength to weight ratio.

Eliminate manual handling of heavy awkward drums!



Total Attachments Inc.

Tel: 905 -339-1100 N. America

Toll Free: 1-800-387-4638

Tel: + 44 1728 723221 Europe

Fax: 905-339- 2802

Email: sales@total.net

Website: www.total.net