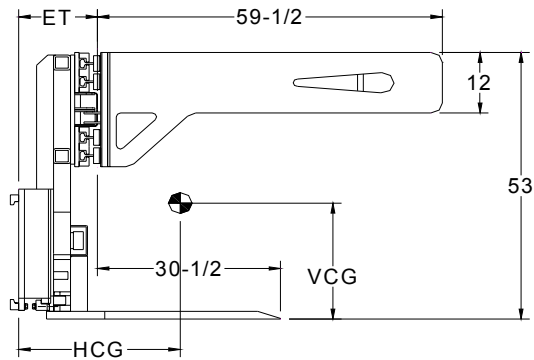
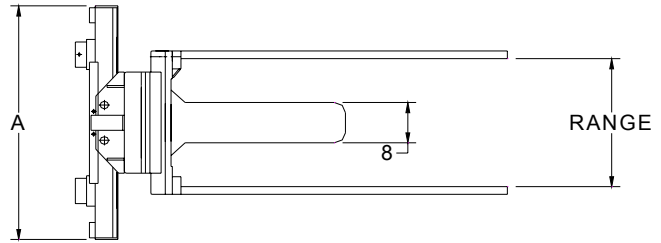


T53 Series Marble Slab Extraction Clamp



Note!

Capacities shown below refer to lifting only one end of the load. The objective of this unit is to hydraulically clamp and elevate one end of the crated slab (stabilizing it), ready for safe transportation to another location.

Model No	Style	Capacity @ 24" LC	Opening Range	Sideshift Each Side	Mtg Class	Weight	A	ET	HCG	VCG
T53-50-9-20S3	Sideshifting	5000	9-20	17	III	1886	46	14.4	15.7	16
T53-50-9-24S3	Sideshifting	5000	9-24	17	III	2280	46	14.4	17.8	18.7
T53-50-9-24S4	Sideshifting	5000	9-24	17	IV	2335	46	14.4	17.9	18.7

Hydraulic Requirements: DoubleFunction

Things we need to know...

- ✓ Crated Slab Length
- ✓ Crated Slab Height
- ✓ Forklift Model
- ✓ Crated Slab Width
- ✓ Weight of Load
- ✓ Carriage Detail