

# **T53 Marble Extraction Clamp**

**a reliable, controlled method of securely clamping crated marble or stone slabs**

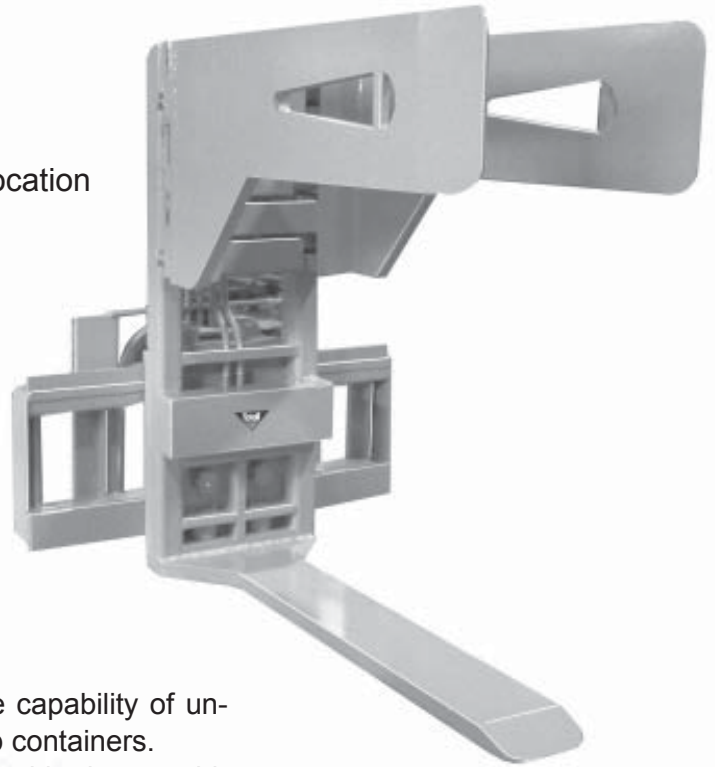
---

## **Features**

Mounts to any standard forklift truck  
High-mount clamp arms for extra stability  
Clamps and stabilizes upper part of crated slab while fixed platen lifts one end.  
Enables forklift to drag crated slabs to new location  
Lift chain anchor point on both arms

## **Options**

Full carriage hydraulic sideshifting clamp  
Non hydraulic floating clamp  
Rubber faced pad adapters for clamping polished surfaces



**Total Marble Extraction Clamps** have the capability of unloading marble and stone slabs from closed top containers. Preferably mounted to a sideshifting forklift truck, this clamp stabilizes the load at the top while the lower single platen lifts one end to extract the crated slab. During the extraction, movement of the load is fully controlled by the forklift operator seated far away from danger.

The optional "hydraulic full carriage sideshifting clamp" can load or unload marble easily, either from the center or sides of the container.

The unique floating clamp design can also sideshift simply by allowing the clamp to find its own clamping alignment without the use of expensive hydraulic accessories.

Built for safety, all marble extraction clamps are designed with lock valves to ensure that the arms stay firmly closed until the slab is securely positioned and stable on the ground.



## **Total Attachments Inc.**

**Tel:** 905-339-1100 **N. America**

**Toll Free:** 1-800-387-4638

**Tel:** + 44 1728 723221 **Europe**

**Fax:** 905-339-2802

**Email:** sales@total.net

**Website:** www.total.net

**Heavy marble or stone slab unloading made easy!**