

# T7P Hydraulic Pole Clamp

a versatile clamp used for lifting rolls of paper  
or other cylindrical products- also for squeezing and loosening  
compacted bagged materials and chemicals

---

## Models available

Basic -non sideshifting  
Sideshifting

## Options

Numerous ranges and capacities  
Quick disconnect mounting

## Features

High tensile slide rails  
Two piece floating slide bushings  
Self aligning hydraulic cylinders  
Flat face construction to prevent product damage  
Compact hydraulic valving with single piece cartridges

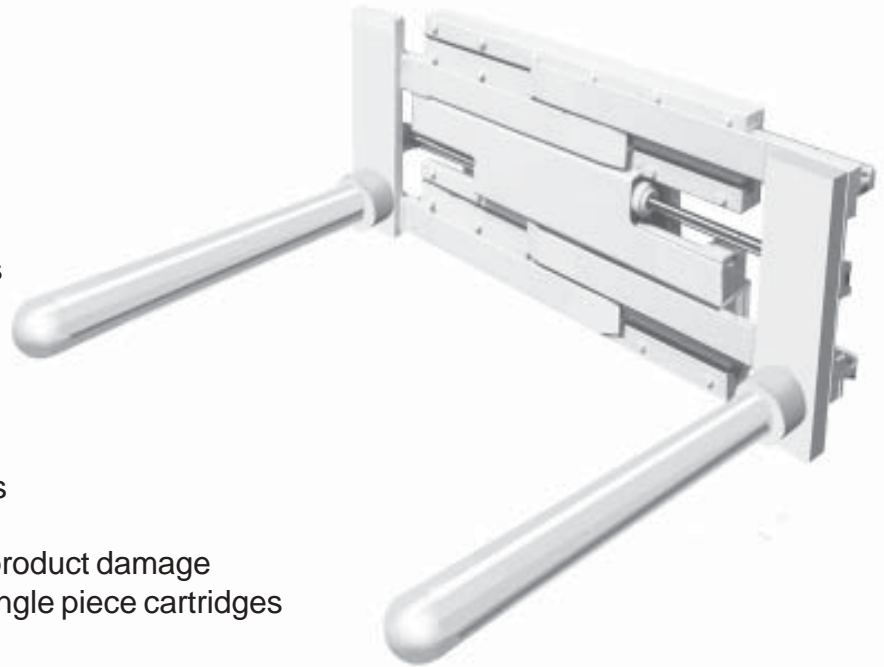
**Total Pole Clamps** are used extensively for lifting cylindrical products with numerous diameters.

Each clamp has a pair of shoulders that both carry replaceable pole arms. These smooth rounded pole arms open and close hydraulically, adjusting to various widths allowing small or large roll pick up. This clamp also has the added capability of squeezing compacted bags of chemicals, loosening the contents and allowing free flow during product transfer.

The frames of all Total clamps are constructed from both steel and alloy for a maximum strength to weight ratio, while the high tensile support rails sliding on polyethylene bushings provide minimal friction during opening or closing.

Hydraulic valving is designed with single piece cartridges for fast replacement in the field during service. All clamps have floating cylinders, designed to eliminate side stresses on the hydraulic seals and cylinder rods during clamping operations.

**Clamping and squeezing of numerous products**



## Total Attachments Inc.

Tel: 905 -339-1100 N. America

Toll Free: 1-800-387-4638

Tel: + 44 1728 723221 Europe

Fax: 905-339- 2802

Email: [sales@total.net](mailto:sales@total.net)

Website: [www.total.net](http://www.total.net)